



เอกสารแนบท้าย: รายละเอียดเครื่องชาร์จรถยนต์ไฟฟ้าแบรนด์ PILOT & PIWIN และมาตรฐานความปลอดภัย

EV Charging Solution ครบจบในที่เดียว ใช้งานง่าย สะดวกแก่ผู้ใช้งาน และเจ้าของสถานที่ เรามีทีมงานวิศวกรคอยให้คำปรึกษา มีประสบการณ์ การให้บริการสถานีชาร์จมาแล้วทั่วประเทศไทยมากกว่า 100 สถานี

Product Features



Wallbox



Standalone

Compact and Stylish Charging

The AC EV Charger blends into any setting with its ergonomic design and space-saving mounting options, perfect for both indoor and outdoor use.

Fast and Efficient

Power up your EV in just 3-5 hours with our 220~240V charger, offering a durable build and consistent energy output for a swift recharge.

Smart Safety Features

Equipped with RFID/App for secure user management, our Level 2 charger ensures a safe, efficient charge with surge protection and automatic functions.

Universal Compatibility

Designed to meet the needs of all EVs, our charger supports SAE J1772 and IEC 62196-2 standards for seamless connectivity and user experience.

Product Specifications

Power Specifications

Input: Connection Single-Phase:1P+N+PE or 3-Phase: 3P+N+PE)

Input: Voltage 230Vac+10% or 400Vac+10%

input: Current 16A or 32A

Frequency: 50Hz or 60Hz

Output: Voltage 230Vac+10% or 400Vac+10%

Output: Current 16A or 32A

Rated Power: 7.4kW/22kW

User Interface & control

LCD Display 4.3" Color Touch Screen

User Authentication: RFID(ISO/IEC 14443)/APP

LED Indicator Green/Blue/Red

Charger Connector: IEC 62196-2 Type 2 (SAEJ1772 Type 1 Optional)

Energy Measuring Embedded meter, with 1% accuracy

Communication

Backend: Bluetooth /Wi-Fi (4G/Ethernet)

Backend Protocol: OCPP 1.6J(OCPP2.0)

Protection

Residual Current Protection: Type A 30mA+DC 6mA

Electrical Protection: Over/Under Voltage Protection. Over Current Protection, Short Circuit Protection, Over Temperature Protection, Lightning Protection, Ground Fault, Surge Protection

Environmental

Operating temperature: -30°C-+50°C

Storage Temperature: -40°C-+85°C

Operating Humidity: Max 93% RH, Non-Condensing

Operating Altitude: ≤2000m

IP, IK Level IP55,IK08

Cooling Method: Natural Cooling



Mechanical

Product Dimension: 270mm*135mm*365mm (W*D*H)

Package Dimension: 330mm*274mm*500mm (W*D*H)

Weight: 5.6kg(Net)/7.2kg(Gross)

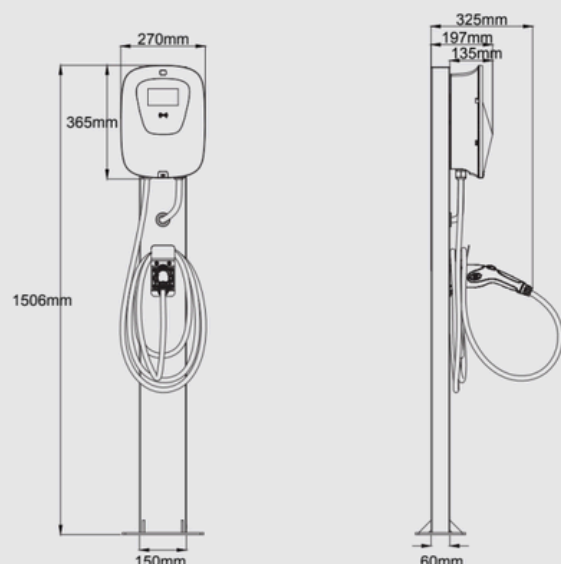
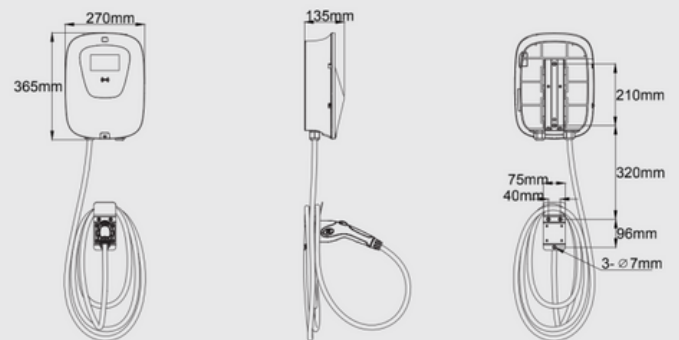
Charging Cable Length: 5m(Customizable)

Mounting: Wall-mount and Stand-mount

Certifications

Certificate: EN 61851-1 2019,IEC 62955 2018,IEC 61008-1 2010,IEC/EN 62196-1

Safety: TUV, CE



Company Introduction

Zhuhai Piwin New Energy Co., Ltd. is a production-oriented enterprise integrating R&D, production, sales and service of intelligent EV charger products. Our products have more than 31 core technologies, obtained over 68 patents, and have passed the international quality system certification. To be the leading enterprise in this industry, the products have passed UL, TUV, CE, Rosh, CB, Nemko, SAA, VDE, KC, BIS, CCC and other certification.

The company has long been engaged in the R&D and production of AC and DC chargers for new energy vehicles in overseas markets, and with the capabilities of OCPP protocol docking and overseas platform deployment. The company's technology in the field of EV chargers is unique, and it has rich experience in cooperation with overseas listed companies, fortune global 500, and new energy vehicle manufacturers. Company's product concept: "Safe, Intelligent, Green, and Environmentally friendly". Our products have been sent to some important potential markets such as Europe, North America, Japan, South Korea, Southeast Asia, etc. and, contributing to the early realization of carbon neutrality in the world.



Why Choose Us?

Manufacture Base

- Piwin has a scientific research and manufacture base of more than 20,000 square meters, ten electric vehicle charging equipment production lines, and as many as 300 production personnel.
- Fully automatic PCB SMT ensures stable and reliable production of all hardware boards.
- Piwin strictly controls the quality of incoming materials and adopt redundant stocking mechanism to ensure the smooth delivery of products.
- With an intelligent production workshop, complete experiments and test instruments, the output quality is strictly controlled.





NO.2 / Why Choose Us?

Certification



ISO9001 Management System Certification



UL Certification



TUV Certification



LVD Certification



RoHS Certification



EMC Certification



National High-tech Enterprise Certification



AAA credit rating Certification



Key high-tech enterprises Certification



Design patent Certification



Utility model patents Certification



Invention patent certificate Certification



NO.2 / Why Choose Us?

Global Partners



Products

Wall Mounted EV Charger-PEVC2107 (7kW-22kW)



Residential Area



Parking Lot



Commercial Building



Fleet



CE RoHS

Wall Mounted EV Charger



Compact and Beautiful design

Scientific and technological appearance design, simple and practical, well-integrated. Modular design of functions can flexibly create exclusive configurations for different needs of users.



Easy to Operate

Users can use different charging methods according to different scenarios: charging while inserting, starting and stopping by swiping cards, connecting mobile phones to APP, so as to prevent others from using your charger. Friendly human-computer interaction interface, simple operation procedure, so that gives users confidence every time when charging.



Safety and Durable

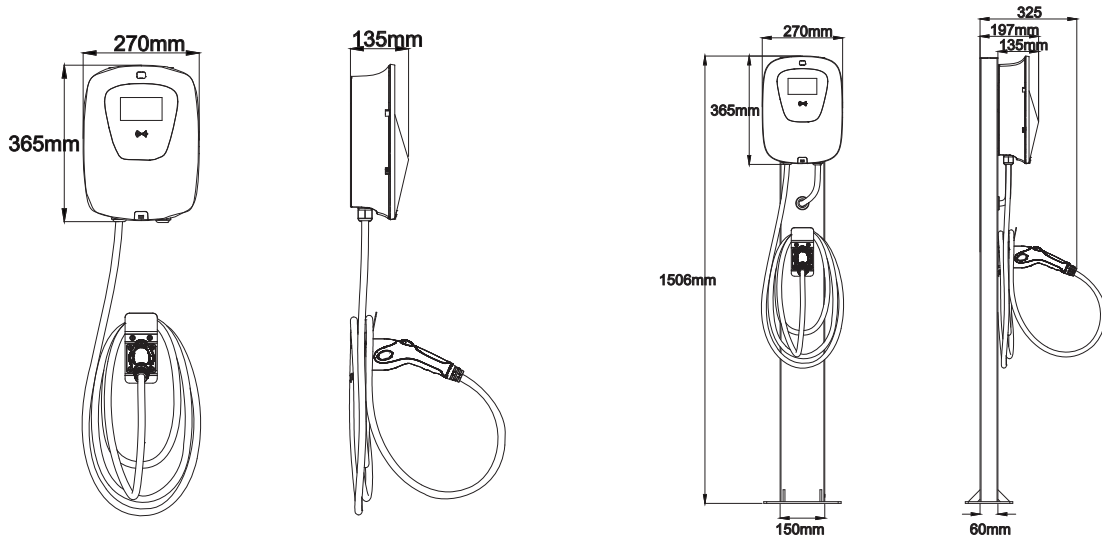
DC 6mA+Type A AC 30mA protection
Excellent waterproofing level up to IP55
It has flame retardant property, moistureproof, mildew proof and salt spray proof.



Innovativeness

simple installation approach, blind installation positioning. low maintenance, Automatic fault diagnosis Easy to Maintain, - Front door operation and maintenance.

Product dimension



 Specification

	Model	PEVC2107E Series		PEVC2107U Series
	For	Europe		North America
Power Input	Input Type	1-Phase	3-Phase	1-Phase
	Input Wiring Scheme	1P+N+PE	3P+N+PE	1P+N+PE
	Rated Voltage	230VAC±10%	400VAC±10%	L1:100VAC±10%/ L2:230VAC±10%
	Rated Current	16A or 32A		
	Grid Frequency	50Hz or 60Hz		
Power Output	Output Voltage	230VAC±10%	400VAC±10%	L1:100VAC±10%/ L2:230VAC±10%
	Maximum Current	16A or 32A		
	Rated Power	7kW	11kW or 22kW	3.5KW/7kW
User Interface	Charge Connector	Type 2 Plug		Type 1 Plug
	Cable Length	5m or Optional		
	LED Indicator	Green/Blue/Red		
	LCD Display	4.3 Inch Touch Color Screen(Optional)		
	RFID Reader	ISO/IEC 14443 RFID Card Reader		
	Start Mode	Plug&Charge/RFID Card/APP		
Communication	Backend	Bluetooth / Wi-Fi /Cellular(Optional) / Ethernet(Optional)		
	Charging protocol	OCPP-1.6J		
Safety and Certification	Energy Metering	Embedded Meter Circuit Component With 1% accuracy		
	Residual Current Device	DC 6mA+Type A AC 30mA		
	Ingress Protection	IP55		
	Impact Protection	IK10		
	Cooling method	Natural Cooling		
	Electrical Protection	Over/Under Voltage Protection,Over Current Protection, Short Circuit protection, Over/Under Temperature Protection,Lightning Protection,Ground Protection		
	Certification	CE		
	Certification and Conformity	IEC61851-1,IEC62196-1/-2,SAE J1772		
Environment	Mounting	Wall-mount/Pole-mount		
	Storage Temperature	-40°C - +85°C		
	Operating Temperature	-30°C - +50°C		
	Max. Operating Humidity	95%, Non-condensing		
	Max. operating altitude	2000m		
Mechanical	Product Dimension	270mm*135mm*365mm (W*D*H)		
	Package Dimension	325mm*260mm*500mm (W*D*H)		
	Weight	5kg(Net) / 6kg(Gross)		
	Accessory	Cable Holder,Pedestal(Optional)		

PEVC3401 (30kW)

DC EV CHARGER



PEVC3401 series is a low-power EV Charger with high conversion efficiency, small footprint, low investment and high return



High efficiency

High-power DC output, fill your car up quickly, make your trip more smooth. Up to 98% power factor, up to 95% charging efficiency, reduce energy waste, economic and environmental protection.



Excellent adaptability

Strong adaptability to application environment: it can be installed outdoors or indoors. Optional installation mode: wall mounting or column mounting. High car charging compatibility: 150-1000V voltage output of different levels, to meet the needs of different types of vehicles.



Intelligent control

Equipped with international general OCPP-1.6 communication protocol, can be connected to the user's background management platform. Can charge by RFID swipe card, calculate charging fees for users to provide commercial functions. Touch screen control, convenient for maintenance personnel. Bluetooth/wi-fi/Ethernet / 4G a variety of communication methods available for selection.



All-round security protection

Provide users with safe charging experience we have voltage, current, temperature, grounding, lightning, leakage protection and other electrical protection to ensure the normal use of users. The product reached the IK10 protection level, and passes the strict safety test before leaving the factory to ensure the safety performance of each product.

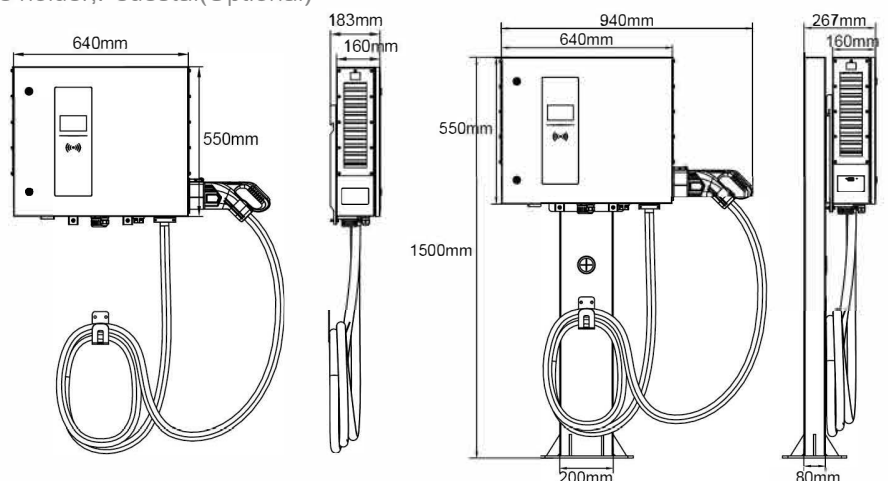


Input Type	3-Phase
Input Wiring Scheme	3P+N+PE
Rated Voltage	400VAC±15%
Max. THDi	5%
Min. Power Factor	0.98
Grid Frequency	50Hz or 60Hz
Output Voltage	150-1000VDC
Max. Current	100A
Rated Power	30kW
Charge Connector	CCS2 Plug(CCS1 Plug Optional) Charge Connector
LED Indicator	Green/Blue/Red,Progress Indicator
LCD Display	4.3" Touch Color Screen
RFID Reader	ISO/IEC 14443 RFID Card Reader
Start Mode	RFID Card/APP
Backend	Ethernet, Optional: Cellular/WiFi/BluetoothEthernet(Optional)
Charging protocol	OCPP-1.6J
Energy Metering	Meter With 1% Accuracyent With 1% accuracy
Residual Current Device	Yes
Internal FUSE	Yes
Ingress Protection	IP54
Impact Protection	IK10
Cooling method	Fan Cooling
Max. Operating Noise Level	65dB
Electrical Protection	Over/Under Voltage Protection,Over Current Protection, Short Circuit Protection, Over/Under Temperature Protection,Lightning Protection,Ground Protection
Certification	CE
Certification and Conformity	-IEC62196-1/-3,IEC 61851-1/-23/-24
Mounting	Wall-mount/Pole-mount
Storage Temperature	-40℃ - +85℃
Operating Temperature	-30℃ - +55℃
Max. Operating Humidity	95%, Non-condensing
Max. operating altitude	2000m
Product Dimension	640mm*160mm*550mm (W*D*H)
Package Dimension	810mm*440mm*810mm (W*D*H)
Weight	55 kg(Net) / 65 kg(Gross)
Accessory	Cable holder,Pedestal(Optional)

No.15, No.6 Keji Road, Science and Technology Innovation Coast, National High-tech Zone, Xiangzhou District, Zhuhai city, Guangdong Province ,China

sales05@piwinenergy.com

www.piwinenergy.com



Successful Cases



Better Charging for Better life

Vision

To be China's Leading Brand of EV
Charger Overseas

Mission

Contribute Efficient Charging Solutions
For the Global Realization of Carbon
Neutrality



Zhuhai PIWIN New Energy Co., Ltd

📍 Address: No.15, Keji 6 Road, ChuangXin Haian,Tangjia Hi-tech Zone,Zhuhai, Guangdong, China.

🌐 Website: www.piwinenergy.com

✉ Contact: sales08@piwinenergy.com

☎ Phone/Whatsapp: +86 18902272065